



## ZoneFlex 7352/7372 Accessory Bracket Mounting Instructions

The following instructions describe how to mount your Ruckus Wireless ZoneFlex 7352/7372 Access Point to a wall, ceiling, utility box or pole or truss using the 7352/7372 Accessory Bracket Kit (part number 902-0108-0000).

### PACKAGE CONTENTS

- Bracket assembly
- (4) #6 tapping screw and wall anchor sets
- Mounting clamp
- *ZoneFlex 7352/7372 Accessory Bracket Mounting Instructions* (this document)

### WHAT YOU WILL NEED

- ZoneFlex 7352/7372 Access Point
- Phillips screwdriver
- Drill with 3/16" (4.8mm) drill bit
- Straightened paperclip

### FEATURES

Mates with keyholes built in to the ZoneFlex 7352/7372 AP.

### Supported mounting scenarios:

- Hard wall & ceiling
- Utility wall box
- Pole & Truss

### Physical security

- Locking tab for padlock security
- Security Torx

### MOUNTING OPTIONS

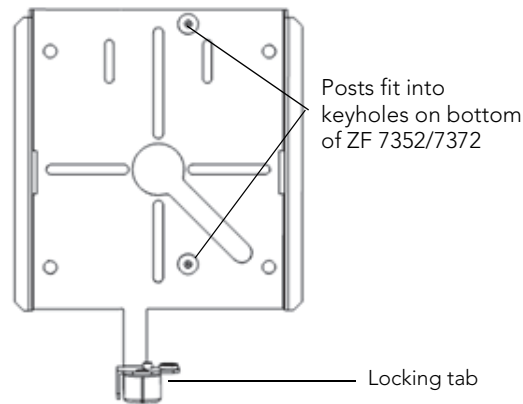
Refer to the relevant section for the mounting options you will be using:

- [Secure Wall Mount](#)
- [Wall Box Mount](#)
- [Pole & Truss Mount](#)

#### NOTE:

Before mounting the AP to the bracket, ensure that the locking tab is in the unlocked position (see Figure 7 under Physical Security).

Figure 1. Accessory bracket

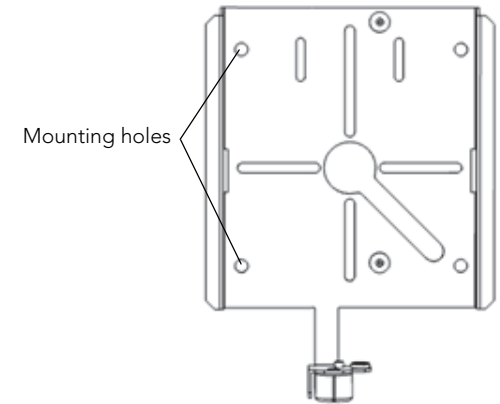


### SECURE WALL MOUNT

To mount the bracket to a wall or ceiling surface, you will need a drill and a 3/16" (4.8mm) drill bit.

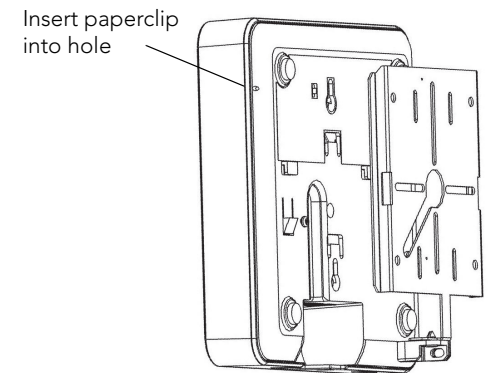
- 1 Use the bracket as a template to mark the locations for drill holes (4 mounting hole locations).

Figure 2. Wall/ceiling mount screw hole locations



- 2 Using a 3/16" (4.8mm) drill bit, drill the holes and insert wall anchors.
- 3 Attach the bracket using the #6 tapping screws.
- 4 Insert and hold a straightened paperclip into the hole on the side of the AP to disengage the locking mechanism.
- 5 Slide the AP onto the bracket and release the paperclip to lock in place.

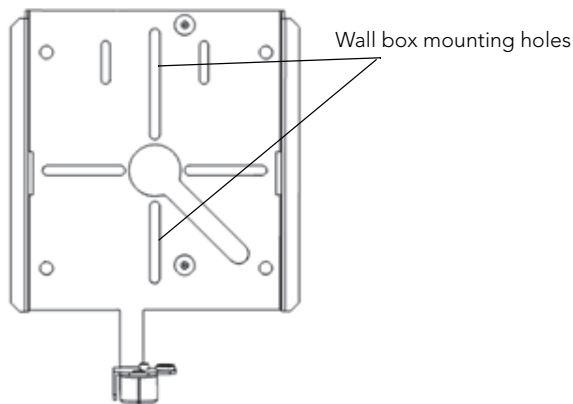
Figure 3. Attach the AP so that the security lock is on the same side as the AP Ethernet ports



## WALL BOX MOUNT

- 1 Remove the wall-plate covering the wall box.
- 2 Feed any in-wall Ethernet or power cables through the hole in the center of bracket.
- 3 Align the bracket to the wall box using the wall box mounting pattern.

Figure 4. Wall box mounting pattern

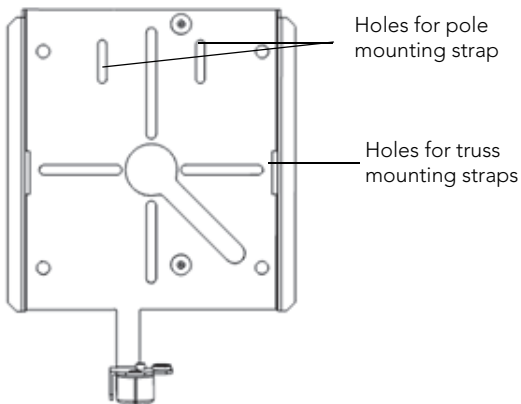


- 4 Mount the bracket to the wall box using the original wall-plate screws.
- 5 Insert and hold a straightened paperclip into the hole on the side of the AP to disengage the locking mechanism.
- 6 Slide the AP onto the bracket and release the paperclip to lock in place.

## POLE & TRUSS MOUNT

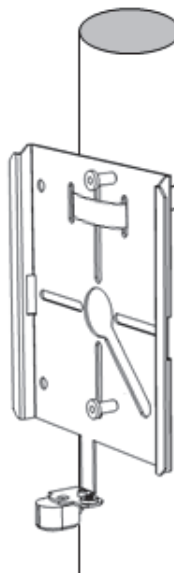
- 1 Wrap mounting clamp around the pole or truss and insert ends into bracket. The holes used for pole and truss clamps are shown in [Figure 5](#).

Figure 5. Mounting strap holes for pole and truss mount



- 2 Tighten the clamp screws to secure the bracket to the pole or truss.
- 3 Insert and hold a straightened paperclip into the hole on the side of the AP to disengage the locking mechanism.
- 4 Slide the AP onto the bracket and release the paperclip to lock in place.

Figure 6. Pole mounting



## PHYSICAL SECURITY

The locking tab is provided for physical security. During AP mounting/un-mounting, the locking tab must be in the unlocked position.

### Note the following options and requirements:

- If physical security is not required, the locking tab can be left in the unlocked position and secured with the Torx screw provided.
- Once mounted to the bracket, the AP can be physically secured by rotating the locking tab toward the AP, into the locked position as shown in [Figure 7](#). A Torx screw or padlock can be used to secure the locking tab in the locked position.
- When un-mounting AP, make sure the locking tab is rotated away from the AP.

Figure 7. Locking tab in locked position

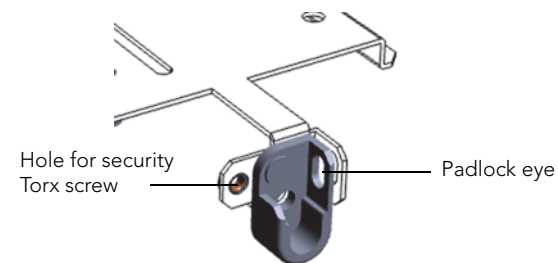


Figure 8. Locking tab in locked position

